

Auxiliary equipment  
For plastic injection machine

dehumidifying & drying



AMD

# AMD SERIES

## Hopper dryer

### 料斗干燥机

AMD series dryer is a quick-drying machine for plastic and rubber raw material drying, it can dry the humidified raw material caused by packing, transportation and retrieving. The direct-type bunker is especially suitable for installed on the plastic-rubber injection molding machinery carrying out drying. All types of machines, the 24-hours timer are available.

AMD系列干燥机是干燥塑胶原料最有效且快速的机型，它可以干燥因包装、运输或回收而潮湿的原料。直接式料斗特别适合于安装在塑胶成型机上进行干燥，快速且省空间。所有机型皆可选择附24小时定时器。

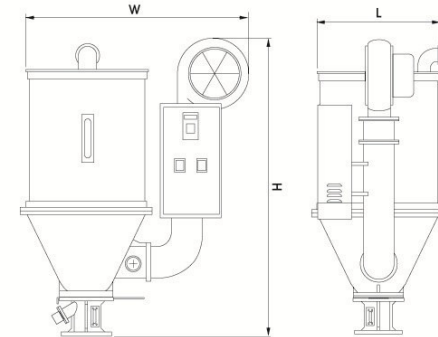
#### 机器特点

- 外观新颖，外表光亮。
- 高效能的热风扩散装置,使热风分布均匀，增加干燥效率。
- 特有热风弯管设计,保证了送风的顺畅,更利于维护。
- 料桶及内部零件一律采用不锈钢制。
- 料桶与底部分离，清料方便，换料迅速。
- 过热保护装置，可减少人为或机械故障所产生之意外。
- 有主电源开关，控制安全。
- 透明视窗型磁铁底座。

#### The characters of the machine

- Polished appearance with stainless steel hopper.
- Hot wind extending device in high efficiency, the hot wind are distributed evenly, can promote the drying efficiency.
- special hot-air winding pipe design, guarantee wind sending in a smooth going way, its benefit to maintenance.
- Internal parts are made of stainless steel.
- As the hopper body and the bottom are designed separately, there-fore it is very convenient to clean.
- Overheat protection device.
- Main switch for safety purpose.
- Transparent eye-glass magnet plinth.

#### The floor plan



#### ► Specifications 规格表

机型	Model		AMD-12KG	AMD-25KG	AMD-50KG	AMD-75KG	AMD-100KG	AMD-150KG	AMD-200KG	AMD-300KG	AMD-400KG	AMD-600KG
装料量	Material loading	Kg	12	25	50	75	100	150	200	300	400	600
干燥电热	Heat power	Kw	1.5	3	4	4	5.5	6	12	15	18	22
送风机	Blower power	W	135	135	170	210	215	215	320	320	340	1030
适用机型	Applicable injectors	oz	1	3	5-8	5-8	10-20	10-20	20-30	20-30	30-50	30-50
普通底座 (E)	Common base (E)	-	●	●	●	●	●	●	●	●	●	●
磁力底座	Magnet pad	-	○	○	○	○	○	○	○	○	○	○
自动定时器(AT)	automatic timer (AT)	-	○	○	○	○	○	○	○	○	○	○
微电脑控制舍定(DT)	Micro-computer controled with timing performance(DT)	-	○	○	○	○	○	○	○	○	○	○
保温层(I)	Warm-keeping layer(I)	-	○	○	○	○	○	○	○	○	○	○
重量	Weight	Kg	20	25	32	35	55	60	150	160	230	250
外形尺寸External size												
W		mm	650	750	850	850	970	970	1250	1250	1400	1400
L		mm	300	400	500	550	600	600	800	800	900	950
H		mm	750	950	1100	1310	1150	1700	1570	1900	1900	2100

产品规格若有变更,恕不另行通知。Please excuse for not note if some specifications of products are changed.

#### Note 注:

- 1) "●" is standard allocation, "○" is selection purchase.
- 2) There are some small difference in quantity due to the different density of various plastics.
- 3) The machine voltage specification is 3∅,380V,50Hz. The voltage can be changed as you require.

- 1) "●" 为标配, "○" 为选购。
- 2) 装料量根据塑胶的密度不同,略有差异。
- 3) 机器电压规格3∅,380V,50Hz。