

Auxiliary Equipment
For Plastic Injection Machine

AMG-SH

Heavy duty granulator

重型粉碎机系列



▶ AMG-1000SH

Description:

AMG-SH series heavy duty granulators are suitable for crushing tubing, profiles, sheet, thicker head material, packaging materials, plastic container, film, wires without metal, TV cover, Refrigerator liner, oil tank and bumper of cars etc.

AMG-SH重型粉碎机适用于集中粉碎管材、型材、板材、较厚的料头、料件、包装材料、容器、片材、电线、电缆、电视外壳、冰箱内胆、汽车油箱及保险杠等。

Close-up 特写



▶ AMG-SH V Type Blades

机器特点

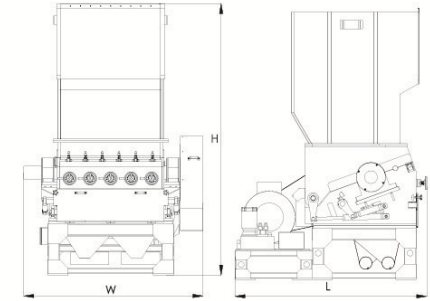
- 分体式机体，使更换刀具简单快捷；
- 特有的刀片结构，剪刀原理，减轻马达负荷，配合强悍的高转速马达，可轻松破碎各类塑料；
- 刀具间隙可调节，用钝后可重复拆卸下刃磨，经久耐用；
- 外置轴承座，防止粉尘进入轴承，延长机器的使用寿命；
- 进料斗与筛网架的开启采用液压式开启，平稳且省力；
- 电机设有过载保护，保护电机安全；
- 安装避震脚，降低震动噪音。

Machine Features:

- Split the body, make the simple quick change the screen mesh and tools;
- Special cutter design adopting shear principle, made of high-chromium shred, crush various plastics wastes easily;
- The gap of knives is adjustable, they can be dismantled when they have been unsharpened, and to be used repeatedly, long time using life;
- The outer bearing seat, prevent dust from entering the bearing, prolong the service life of the machine;
- Feeding hopper and screen bed are opened easily by hydraulic device
- Overload protector for motor and interlock protection device, double protection for the safety of workers and motor;
- With vibration-resistant feet, reduce the noise of vibration;



▶ AMG-1000SH



Specifications

机型 Model		重型粉碎机 Heavy duty granulator		
		AMG-1000SH	AMG-1200SH	AMG-1400SH
电机功率 Power	kw	75	110	132
主轴转速 Rotor speed	rpm	450	450	450
转动刀 Rotating blades	pcs	6	6	6
固定刀 Fixed blades	pcs	4	4	4
筛网孔径 Screen Diameter	mm	φ 12	φ 12	φ 12
粉碎室尺寸 Cutting Chamber Size	mm	870 × 1000	870 × 1200	870 × 1400
粉碎能力 Output	kg/h	1500 ~ 2500	1800 ~ 2800	2000 ~ 3000
粉碎时噪音 Noise	dB(A)	100~120	100~120	100~120
风机送料系统 Blower Conveying System	-F	●4kw × 2	●4kw × 2	●5.5kw × 2
进料斗液压起落 Hydraulic controller for feeding-hopper		●	●	●
筛网架液压起落 Hydraulic controller for Screen bed		●	●	●
人工接料箱 Material Box		○	○	○
重量 Weight	kg	4960	6200	7800
外形尺寸 External size				
L	mm	2290	2290	2290
W	mm	1980	2140	2340
H	mm	3240	3240	3240

产品规格若有变更,恕不另行通知。Please excuse for not note if some specifications of products are changed.

Note 注:

- 1) ● "为标配件, ○ "为选配件。
- 2) The max. Crushing capacity depend on the mesh hole diameter and crushing material quality.
- 3) The varied noise depend on varied crushing material.
- 4) The standard power voltage is 3φ 380V 50Hz; other voltage is available.

- 1) ● "为标配件, ○ "为选配件。
- 2) 最大粉碎量取决于筛网孔径和粉碎材料等因素。
- 3) 粉碎时噪音因粉碎材料不同而异。
- 4) 机器电压规格为3φ 380V 50Hz。