

AMG-E

Slow - speed granulator

慢速机边粉碎机系列



▶ AMG-270E

Description:

AMG-E Series Beside-the-Press Granulators are installed beside injection molding machine, feeding by Robot or manpower, to crush small stub bar. The machine works to reduce the the material waste and pollution, and increase the material availability to save manpower and production cost.

AMG-E机边立即回收粉碎机, 将此机器安装在机台旁, 配以机械手(也可以人工投料回收), 可将小型水口料立即粉碎并按一定比例与新料混合使用, 既减少原料的浪费, 又减轻了原料的污染源, 提高了原料的利用率。更可节省人力资源, 降低企业成本。

Close-up 特写



▶ AMG-E Teeth Blades

机器特点

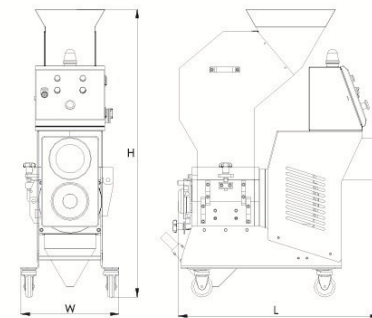
- 小功率, 低噪音, 特别适合于无尘静音车间;
- 直接传动, 传动效率特高 (0.97-0.995), 粉碎能力更强, 更节省能源;
- 刀具特殊设计, 减少刃磨次数, 持久耐用;
- 无筛网设计, 粉碎颗粒均匀, 粉末特少;
- 进料斗与接料盒有安全装置, 使用安全;
- 电机设过负荷保护, 保护电机安全;
- 安装脚轮, 移动方便。

Machine Features:

- Low power and low noise, suitable to quiet and dust-free workshop;
- Direct transmission with high efficiency (0.97-0.995), works with high capacity and energy-saving;
- Special designed rotating blades, decrease resharping frequency, long time using;
- Screenless design ensures even crushed granules without dust;
- Protection device fixed on inlet hopper and material drawer, works safely;
- Overload device to protect motor;
- Fixed with castor, easily to move.



▶ AMG-270E



Specifications 规格表

机型 Model	慢速机边粉碎机 Slow-speed granulator				
	AMG-170E	AMG-270E	AMG-360E	AMG-460E	
电机功率 Power	kw	0.75	1.5	2.2	2.2
主轴转速 Rotor speed	rpm	37	37	34	34
转动刀 (爪刀) Rotating blades	pcs	1	2	3	4
转动刀 (齿刀) Rotating blades	pcs	2	3	4	5
固定刀 Fixed blades	pcs	4	6	8	10
粉碎室尺寸 Cutting Chamber Size	mm	240 × 170	240 × 270	240 × 360	240 × 420
粉碎能力 Output	kg/h	8-10	10-15	15-25	25-35
粉碎时噪音 Noise	dB(A)	60-75	60-75	60-75	60-75
风机送料系统 Blower Conveying System		●	●	●	●
立即回收系统 Instantaneous recycling system		●	●	●	●
比例阀送料装置 Proportional-valve Conveying Device		○	○	○	○
人工接料箱 Material Box		○	○	○	○
重量 Weight	kg	265	310	360	390
外形尺寸 (主机尺寸) External size					
L	mm	840	940	1040	1140
W	mm	470	470	470	470
H	mm	1470	1470	1470	1470

产品规格若有变更, 恕不另行通知。Please excuse for not note if some specifications of products are changed.

Note 注:

- 1) ● "is standar allocation, ○" is optional purchase;
- 2) The max. output depends on screen dia. and material qulity;
- 3) The varied noise depend on varied material;
- 4) The standard power voltage is 3φ 380V 50Hz, other voltage is available.

- 1) ● "为标配件, ○"为选购件。
- 2) 最大粉碎量取决于粉碎材料等因素。
- 3) 粉碎时噪音因粉碎材料不同而各异。
- 4) 机器电压规格为3φ 380V 50Hz。